

The **Vision Elite** Axle Back is for fleet owner and owner-operator alike, a total chassis optimized through computer-aided design for an excellent strength-to-weight ratio. The cab incorporates exceptional room and comfort with the highest standards of fit and finish. The cab ride is an innovative cab air suspension, for unsurpassed smoothness and comfort. The axle-back configuration contributes to handling ease, while the quiet roomy interior caters to the driver's every need.

- **Conventional Cab**
- **Advantage Chassis**
- **Set-Back Front Axle**
- **4-Wheel Tractor**

**Engine:** MACK MP8-345C  
345 HP [257 kW] Peak Horsepower

**Transmission:** FULLER, FRO-16210B 10-Speed

**Front Axle:** MACK FXL12 12,000 lb. [5 443 kg] Capacity

**Rear Axle:** MERITOR RS-23-161 23,000 lb. [10 433 kg] Capacity  
Suspension: Multileaf Spring

# MACK

# Vision Elite

axle back 4x2



## Standard Specifications Export

### ENGINE: MACK MP8-345C

Peak Horsepower – 345HP at 1400 - 1800 RPM  
Horsepower – 308 HP at 1950 Gov. RPM  
Max. Torque – 1360 lb/ft at 1200 RPM  
V-MAC IV – Total Vehicle Electronics  
Air Compressor – Meritor/WABCO 318 (18.7 cfm)  
Air Cleaner, 11" Single Element  
Dry Type, Under Hood  
Air Intake from Both Sides of Hood  
Alternator, 12V 100A – Delco (24SI)  
Batteries, (3) Mack 12V M/F Group – 650 CCA  
Total 1950 CCA w/Kalas Cables  
Engine Brake – Mack Powerleash  
Silicone Engine Hoses and Tubing  
Poly-V Fan Belt w/Automatic Tensioner  
Fan Drive, Electronically Modulated Type  
Flywheel Housing, Aluminum  
Fuel Water Separator  
Mack EPDM Radiator & Heater Hoses  
Aluminum Radiator  
Starter, 12V Gear Reduction  
Electronic Starter Interlock

### CLUTCH: EATON/FULLER, CL7982

15.5" Two-Plate w/Dampened Ceramic Coax  
9-Spring 4-Paddle Driven Disc & 2" Diameter Spline

### TRANSMISSION: FULLER, FRO-16210B

10-Speed, Ratios: 11.06 Low – 0.75 High  
Driveline: Meritor 17N HD w/Coated Splines

### CAB: CA68 CONVENTIONAL

Air Conditioner w/Integral Heater – R134a Refrigerant  
Air Restriction Monitor, Graduated Lock Up Type  
Air Cleaner Intake Mounted  
Ash Tray  
Cab Mounting  
Four Point System w/2 Air Bags and Shocks at Rear  
Cigar Lighter  
Coat Hook (2)  
Cup Holders, Driver's & Rider's Side  
Dome Lights, 2 Lamps LH/ 2 Lamps RH  
Doors, Galvanized Steel Visibility Doors  
Engine Shutoff – Key Type Control  
Floor Mats, Mack Signature Polyurethane  
Metric Gauges  
Air Pressure Gauge  
Voltmeter  
Digital Gauge Cluster:  
Exhaust Pryometer and Transmission Oil  
Temperature Gauges  
Engine Coolant Temperature Gauge  
Engine Oil Pressure Gauge  
Fuel Level Gauge  
Speedometer, Electronic w/Trip Odometer  
Engine Tachometer Electronic w/Hourmeter



**STANDARD SPECIFICATIONS**

(Continued)

**CAB: CA68 CONVENTIONAL (Continued)**

Safety Tinted Windshield, Side and Rear Windows  
Grab Handles, Black Finish RH & LH Behind Door  
Horn, Air Horn Single Tone Electronic  
Identification and Clearance Lights (5)  
Instrument Cluster:  
    Segmented LCD Driver's Display  
Instrument Panel, Charcoal Gray  
Interior Trim: Genuine - Slate Gray  
Keys, 2 - Keyed at Random  
Low Air Pressure Indicator, Light and Buzzer  
Exterior Mirrors, Body Colored Aero Mirrors  
    w/Integrated Convex Mirror  
Parking Brake On Indicator Light  
Radio Accommodation Package  
    Includes: Antenna, Power Supply and 2 Speakers  
CB - 5 way Binding Post  
Seating:  
    Driver - Bostrom Talladega 915 Mid-Back Air  
Suspension  
    Rider - Mack Fixed Mid-Back Non-suspension  
Seat Belts, Lap and Shoulder w/Cab Mounted Shoulder  
    Belt w/Fixed D-Ring for Driver and Rider Seats  
Side Markers - Lamps and Reflectors  
Key Type Starter Switch  
Steering Column, Adjustable Tilt Telescope  
Steering Wheel, Two Spoke Urethane Grip Painted  
    Spokes and Bulldog Horn Cap  
Overhead Console, 3 Storage Compartments w/Nets  
Rear Storage Pouch  
Sun Visor, Interior Both Sides w/Ticket Holder  
Turn Signals, Integral w/Fender  
Window Control, Standard Hand Crank  
Windshield - 2 Piece  
Windshield Washers, Wiper Mounted w/Reservoir  
    Mounted under Hood  
Windshield Wipers:  
    2 Speed Electric Motor w/Intermittent Feature

**HOOD & FENDERS:**

One Piece Fiberglass w/Wheel Splash Aprons  
SMC (Sheet Molding Compound)  
Grille, Bright Finish Bars w/Black Background

**FRAME:**

Wheelbase (WB) - 156"  
Load Platform (LP) - 131"  
Cab to Axle (CA) - 90"  
Axle to End of Frame (AF) - 41"  
Frame Rails - Steel  
Cross Section - 10.47" x 3.54" x .24"  
Section Modulus, 11.6 in.<sup>3</sup>  
RBM (per rail) - 1,390,000 lb. in.  
Tapered and Flanged Rail Ends - 28°  
Bumper: Flush Non-metallic Argent with Black Accent  
Bumper to Back of Cab (BBC) - 117"  
Fifth Wheel: Air Slide, LH Release  
Front Towing, Clevis (2)

**FUEL TANKS:**

Capacity/Location: 78 Gallon/LH & RH  
Unpainted Aluminum, 26" Diameter

**FRONT AXLE: MACK FXL12**

12,000 lb. Capacity  
Tires: 295/75R22.5 (Low Profile)  
Wheel Equipment: (2) 22.5" x 8.25" Alcoa 10-Hole Hub Piloted  
Brakes: Meritor "S" Cam 15" x 4" Q-Plus w/o Dust Shields  
Shock Absorbers  
Slack Adjusters - Automatic  
Suspension:  
    Mack Taperleaf 12,000 lb. Ground Load Rating  
    2 Leaf Spring  
Steering: TAS-65 Ross Integral Power Steering

**REAR AXLE: MERITOR RS-23-161**

23,000 lb Capacity  
Carrier - Malleable Housing  
Suspension - Mack Multileaf 23,000 lb Capacity  
Tires: 295/75R22.5 (Low Profile)  
Wheel Equipment: (4) 22.5x8.25 Alcoa 10-Hole Hub Piloted  
Brakes: Meritor "S" Cam 16.5" x 7" Q-Plus w/o Dust Shields  
Wheel Seals - Oil  
Slack Adjusters - Automatic  
Spring Brake Chambers:  
    (2) 30/30 Double Diaphragm Type  
    Mechanical Spring Release

**AIR/BRAKE:**

Dual Air Brake System  
Air Dryer - Meritor System Saver 1200P  
Air Reservoirs - Steel 5600 in<sup>3</sup> Capacity  
    Single Compartment Primary and Two  
    Compartment Supply/Secondary  
Brake Control - 2 Valve Dual Brake System  
Trailer Supply and Tractor-Trailer Park  
Hand Control Valve for Trailer Brake  
Trailer Connection Package: Semi  
    (2) 12' Air Hoses w/Integral Glad Hand Electrical Plug Holder  
    Storage Bracket  
    (1) 12' Seven Wire Cord w/Seven Wire Plug on Each End  
    Ground Reachable,  
    Breakaway Safety Valve  
    Conspicuity Treatment to Back of Cab

**ELECTRICAL:**

Battery Box - Steel w/Molded Plastic Cover  
    Mounted Left-hand side Under Cab  
Courtesy Light Switch - Headlamp and Clearance  
Doubles Trailer Electrical Package  
Electric Circuit Protection Package  
Waterproof Electrical Connections  
Rear Lighting - (2) Combination Stop, Tail Directional and  
    Back-Up Lights  
Headlights - Flush mounted Rectangular Halogen Lamps  
    w/Lexan Lens, Replaceable Bulbs  
Transistorized Turn Signal Flasher

**PAINT:**

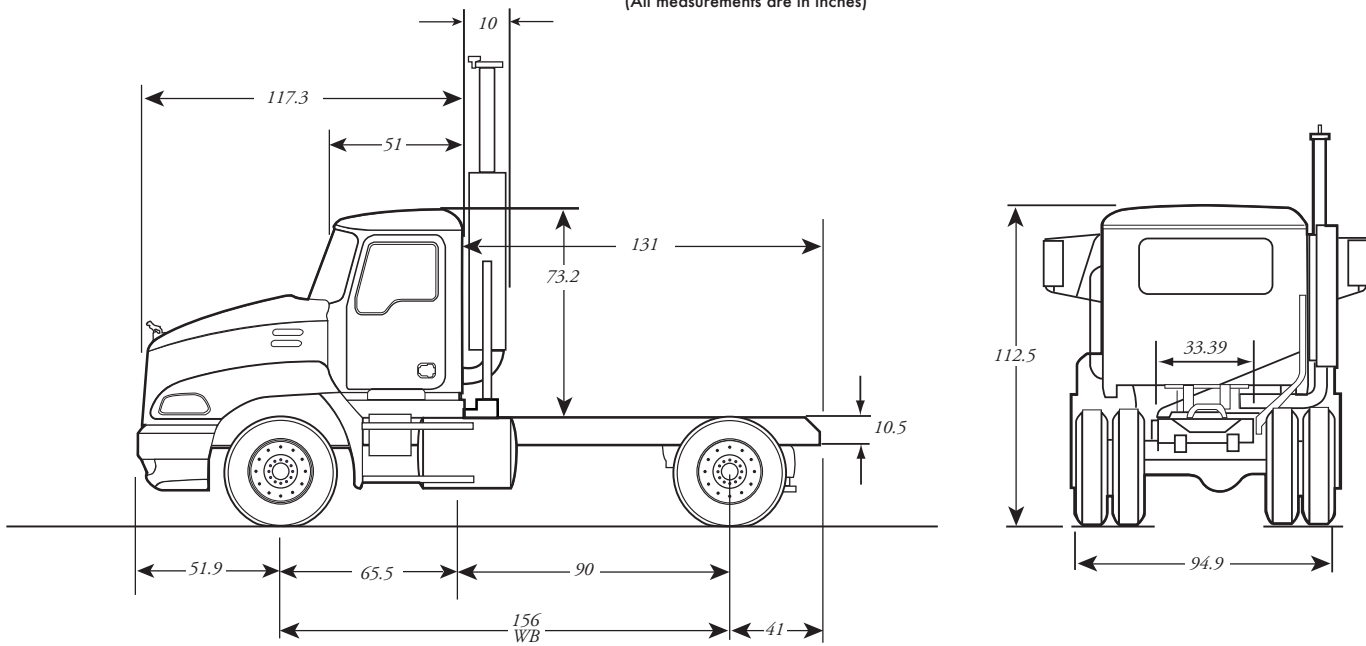
Cab, Hood and Fenders:  
    Mack White (High Gloss)  
    Urethane Base Coat w/o Clear Coat  
Chassis Running Gear:  
    Mack Black (Urethane)

**WEIGHT:**

Front: 8,338  
Rear: 3,646  
TOTAL: 11,984

**CHASSIS SPECIFICATIONS**

(All measurements are in inches)



**AVAILABLE DRIVELINE COMPONENTS**

MP8—ENGINES	
MODEL	HORSEPOWER
<b>MACK</b>	
MP8-345C	345 HP [257 kW] @ 1400 - 1800 RPM 308 HP [230 kW] @ 1950
MP8-360C	360 HP [269 kW] @ 1400 - 1800 RPM 323HP [241 kW] @ 1950
MP8-400C	400 HP [298 kW] @ 1400 - 1800 RPM 358 HP [267 kW] @ 1950
MP8-440C	440 HP [328 kW] @ 1400 - 1800 RPM 389 HP [290 kW] @ 1950

TRANSMISSIONS		
MODEL	SPEEDS	RATIOS (LOW/HIGH)
<b>MACK</b>		
T306G	6	7.50/0.71
T309	9	11.40/0.71
T309(LR)	9	13.93/0.71
T310	10	13.81/0.73
T310M	10	17.35/0.73
T310ME	10	17.35/0.73
T313LR	13	16.42/0.71
T313	13	13.44/0.71
T318LR	18	16.42/0.71
T318	18	13.44/0.71
<b>ALLISON</b>		
4000-HS	5	3.51/0.74
4500-HS	5	4.70/0.76
4000-RDS	5	3.51/0.74
4500-RDS	5	4.70/0.76
4000-HS	6	3.51/0.64
4500-HS	6	4.70/0.67
4000-RDS	6	3.51/0.64
4500-RDS	6	4.70/0.64

AXLES		
CAPACITY	MAKE	MODEL
<b>FRONT AXLES</b>		
12,000 lb. [5 443 kg]	MACK	FXL12
	DANA SPICER	E12021
	MERITOR	FF966
	HENDRICKSON	STEERTEK
14,600 lb. [6 486 kg]	MACK	FXL14.6
	HENDRICKSON	STEERTEK
<b>SINGLE REAR AXLES</b>		
23,000 lb. [10 433 kg]	MACK	RA23R
	DANA SPICER	S23190
	MERITOR	RS-23-161/186

TRANSMISSIONS (Continued)		
MODEL	SPEEDS	RATIOS (LOW/HIGH)
<b>EATON FULLER</b>		
RTX-13609B	9	12.57/0.73
RTX-14609B	9	12.57/0.73
RTX-16709B	9	12.46/0.76
FRO-13210B	10	11.06/0.75
FRO-13210C	10	12.69/0.74
FRO-14210B	10	11.06/0.75
FRO-14210C	10	12.69/0.74
FRO-15210B	10	11.06/0.75
FRO-15210C	10	12.69/0.74
FRO-16210B	10	11.06/0.75
FRO-16210C	10	12.69/0.74
RTO-14908LL	10	14.56/0.74
RTO-16908LL	10	14.56/0.74
FR-13210B	10	14.80/1.00
FR-14210B	10	14.80/1.00
RTLO-14913A	13	12.31/0.73
RTLO-16913A	13	12.31/0.73
RT-14915	15	16.94/1.00
RTO-14915	15	13.31/0.79
RTO-16915	15	13.31/0.79
RTLO-14918B	18	14.40/0.73
RTLO-16918B	18	14.40/0.73
<b>EATON FULLER-AUTO SHIFT</b>		
RTO-16910B-DM3	10	10.96/0.74
RTO-14910B-DM3	10	10.96/0.74
RTO-14910B-AS3	10	10.96/0.74
RTO-14910C-AS3	10	12.80/0.73
RTO-16910B-AS3	10	10.96/0.74
RTO-14910C-AS3	10	12.80/0.73
RTLO-14918A-AS3	18	12.19/0.73
RTLO-16918A-AS3	18	12.19/0.73

**OPTIONAL EQUIPMENT**

**FRAME:**

Rail Dimensions: 10.47" x 3.54" x .28"  
Section Modulus: 13.3 in.<sup>3</sup>  
Resistance Bending Moment (RBM) 1,600,000 lbs. in.

Rail Dimensions: 10.47" x 3.54" x .32"  
Section Modulus: 15.0 in.<sup>3</sup>  
Resistance Bending Moment (RBM) 1,810,000 lbs. in.

**Wheelbase Availability:** 138" to 238"

**CAB, OPTIONAL INTERIOR TRIM LEVELS:**

Trim Level II – Custom: Refer to MackTraQ for complete description  
Trim Level III – Grand Touring: Refer to MackTraQ for complete description

**SLEEPER BOXES:** Interior Color Matches that of the Cab Interior

48" Flat Top  
56" Flat Top  
60" Mid Rise  
70" Mid Rise  
70" High Rise

**AERO AIDS:**

Roof Fairings  
Side Shields

**OTHER OPTIONAL EQUIPMENT:**

ABS Options  
Aerodynamic Aids  
Air Dryer Options  
Air Horns  
Air Reservoir, Aluminum  
Alternator Options  
Back of Cab Reflectors  
Back-Up Alarm  
Batter Box Cover, Aluminum  
Battery Disconnect Switch  
Battery Options  
Brake Equipment Options  
Bright Finish Exhaust  
Bright Finish Fuel Tanks  
Bug Screen  
Cab Window Options  
CB Radio Options  
Coolant Protection  
Co-Pilot Driver Information Display  
Crossmember Options  
Dash Mounted Switches  
Daytime Running Lights  
Door Interior Trim Panels  
Dual Exhaust  
Engine Block Heater  
Engine Starting Aid

Fifth Wheel & Related Equipment  
Fire Extinguisher  
Fog Lights  
Fuel Heater  
Gauge Cluster Options  
Hood Insulation  
Hubodometer  
Identification/Clearance Lights  
In-Dash Storage  
Instrument Panel Trim  
Keyed Alike Chassis  
Keyless Entry  
Mack Road Stability Advantage System  
Mirror Options  
Mud Flaps  
Overhead Console, 2 Compartments  
Permit Plates  
Personalized Name Plate  
Power Windows & Locks  
Push Button Start  
Quarter Fenders  
Reflector Kit  
Seat Options, Driver & Rider  
Side Shield Extensions  
Sliding Rear Window  
Starter Option

Steering Wheel Options  
Stereo Radio Options  
Storage Console  
Sun Visor, Exterior  
Synthetic Lubricants  
Trailer Hook-Up Lamp  
Wheel Equipment Options  
Wheel Lugwrench  
Windshield Curtain